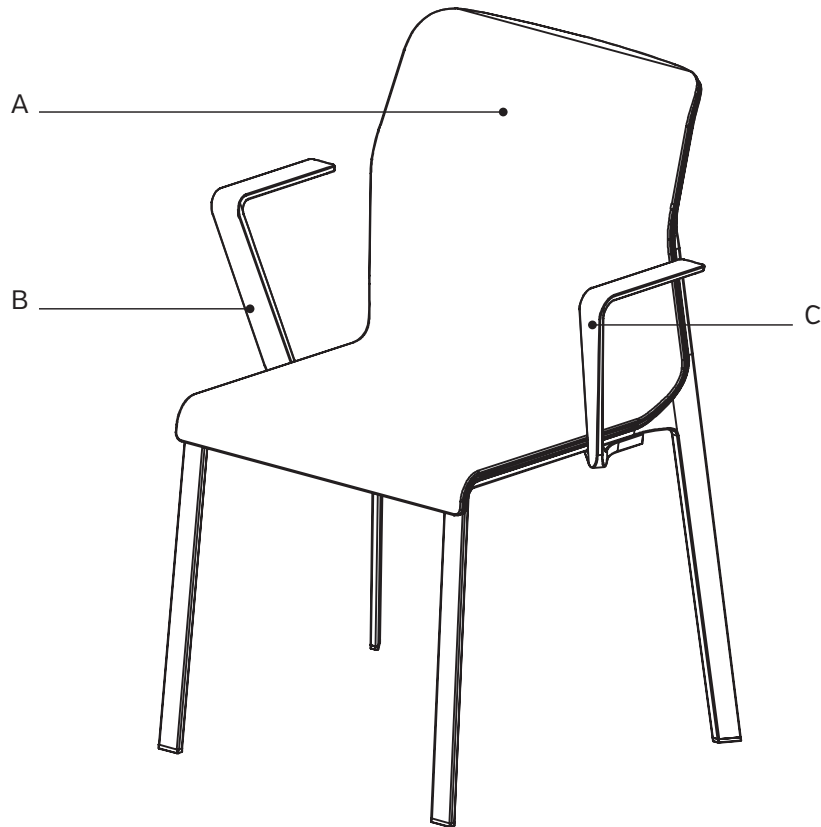


# idesk

Assembly Instructions

201 CURVINNA WITH ARMS



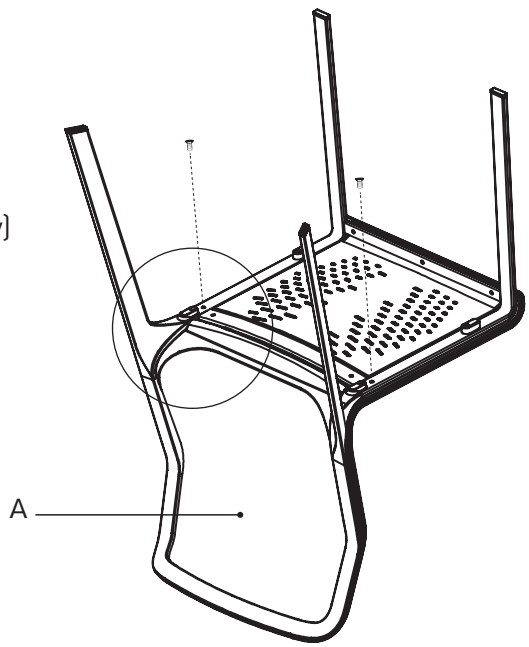
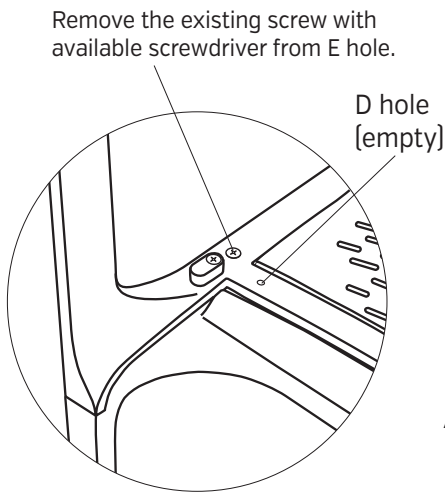
Item		Part Name	Part #	Qty
A		Curvinna Chair Armless	G00271	1
B		Right Arm	G00199	1
C		Left Arm	G00200	1
D		Screw Short [M8x16]	G00288	2
E		Screw Long [M6x25]	G00202	2
F		5mm Hex Wrench	G00203	1

### Warning

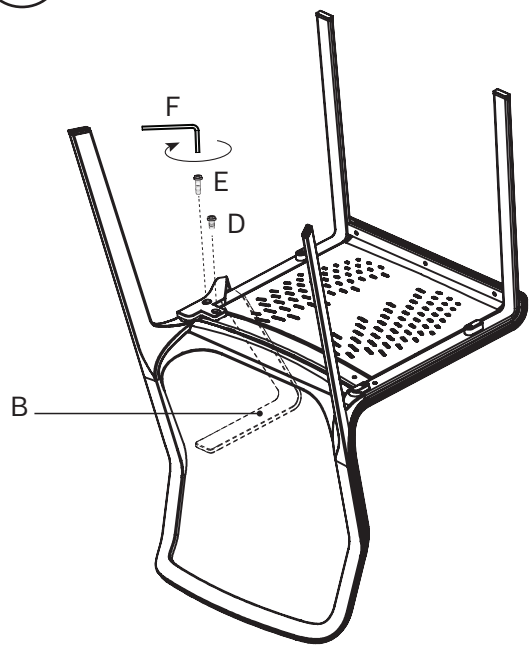
1. Product is for single person use only.
2. Do not use this chair unless all bolts are securely tightened.
3. Check all bolts are tightened every six months or as needed.
4. Dispose of packing material properly. Do not use plastic cover as a head covering. Suffocation may result.
5. Do not use this chair as a stepladder.

For assistance, call [888] 471-1616, or [www.youtube.com/user/ideskinc1](http://www.youtube.com/user/ideskinc1)

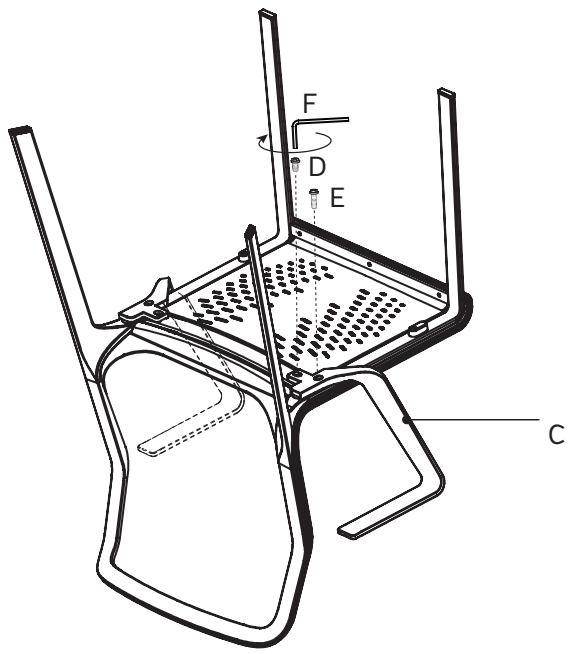
1 Remove any existing screw from “D” or “E” hole.



2 Install right arm with screws [item D and E].



3 Install left arm with screws [item D and E].



4 FOR ARMLESS CHAIR CONFIGURATION DO NOT INSTALL ARMS.