


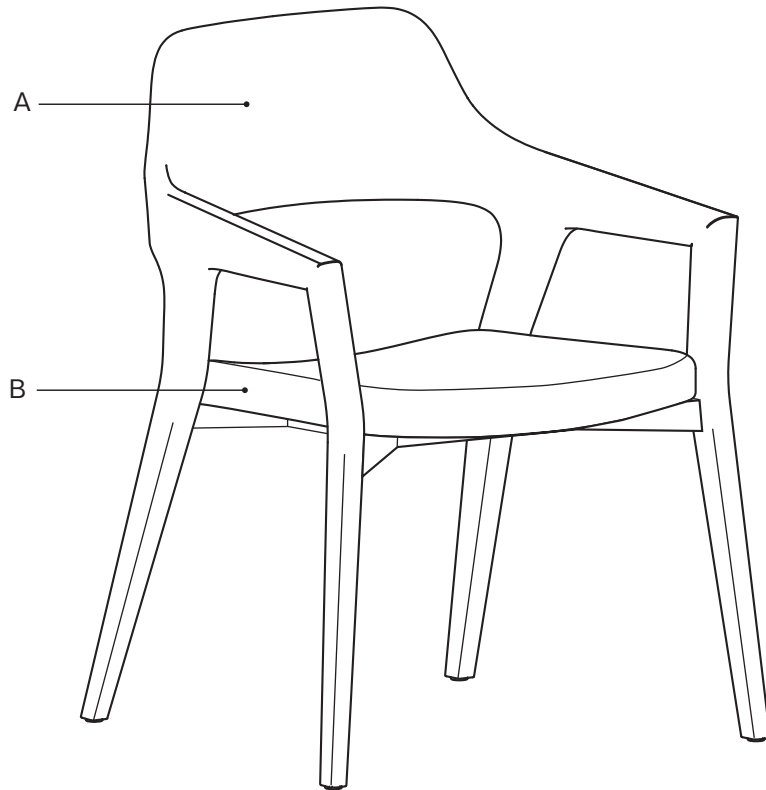


idesk

Assembly Instructions

CRAZY HORSE CHAIR

Item		Part Name	Part #	Qty
A		Wood Frame	G00289	1
B		Seat Cushion	G00290	1
C		M6 x 60mm Phillips Head Furniture Screw	G00291	4

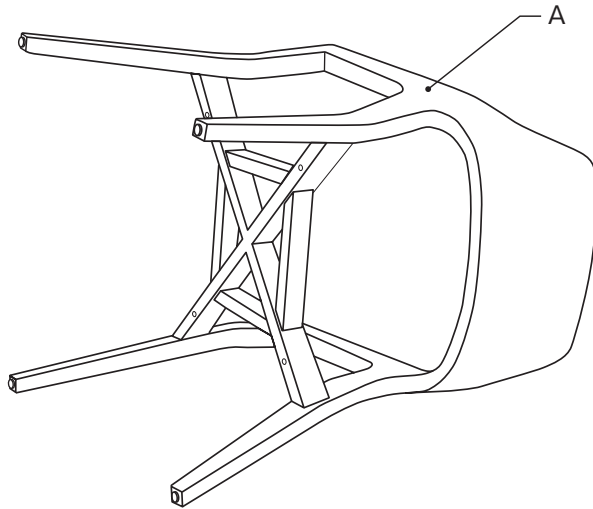


Warning

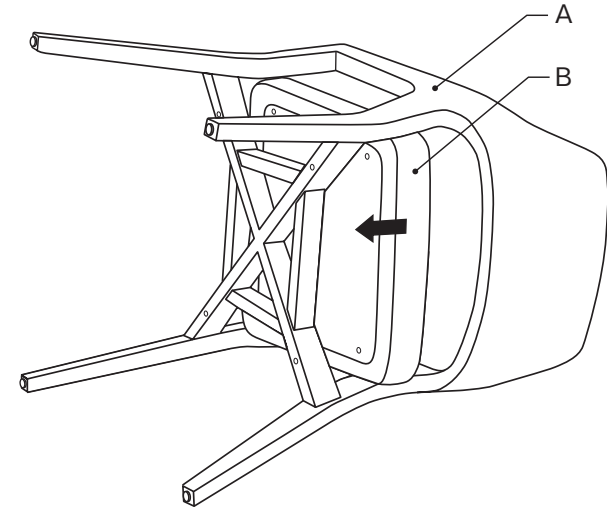
1. Product is for single person use only.
2. Do not use this chair unless all screws are securely tightened.
3. Check all screws are tightened every six months or as needed.
4. Dispose of packing material properly. Do not use plastic cover as a head covering. Suffocation may result.
5. Do not use this chair as a stepladder.

For assistance, call [888] 471-1616, or visit www.youtube.com/user/ideskinc1

- 1 Turn the wood frame [A] over to expose the four holes in the cross members.



- 2 Place cushion [B] with holes facing the cross member. Be sure to point the tapered end of the cushion towards the back of the cross member.



- 3 Align the holes in the cushion [B] with the holes in the frame and install the four screws [C].

